

PIKE

0B996

Table Lamp

1-150W Max.

Bulb Type: A

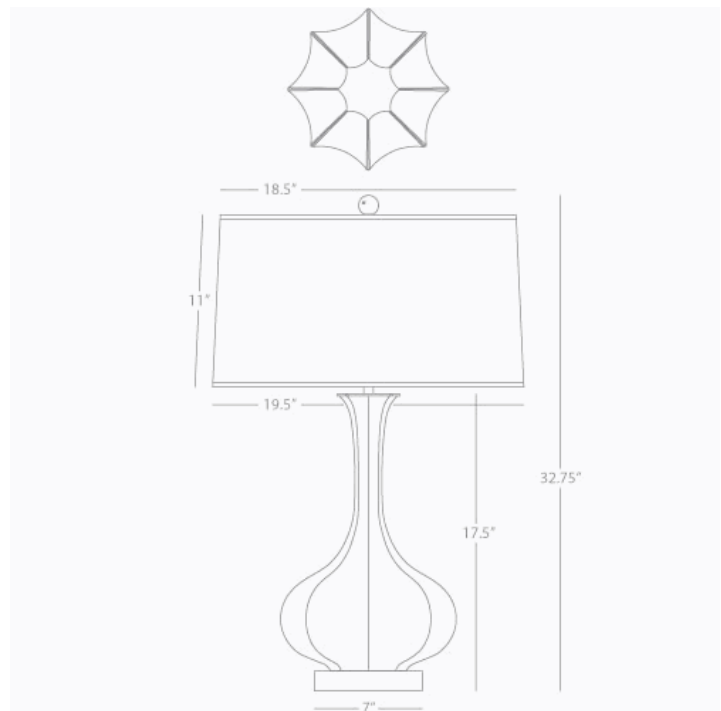
Switch: Hi-Lo Dimming

Steel Blue Glazed Ceramic

Lucite Base

Pearl Dupoini Fabric Shade

See Pike Chart for Color/ Base Options



* Made In The USA