

PIKE

AM996

Table Lamp

1-150W Max.

Bulb Type: A

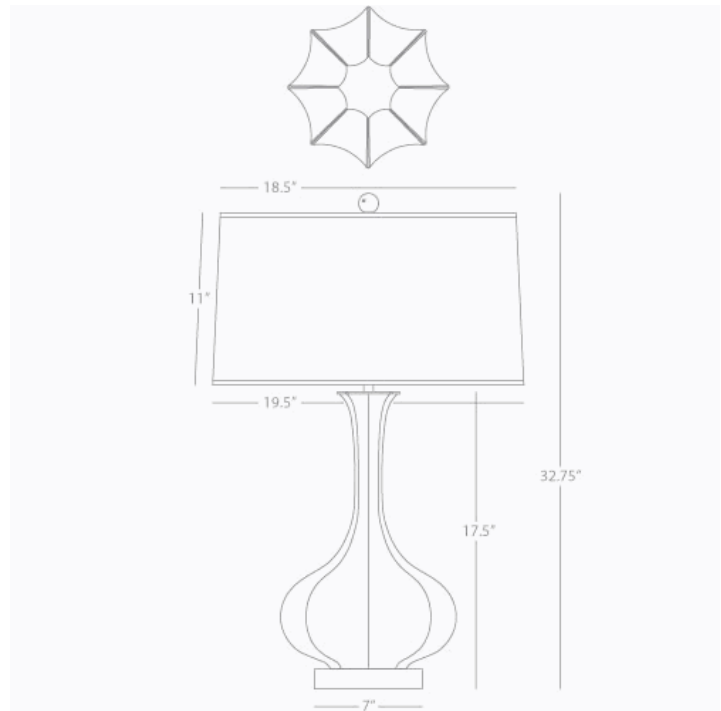
Switch: Hi-Lo Dimming

Amethyst Glazed Ceramic

Lucite Base

Pearl Dupoini Fabric Shade

See Pike Chart for Color/ Base Options



* *Made In The USA*