

MARY MCDONALD

ANNIKA

2505X

Accent Lamp

1-60W Max.

Bulb Type: B10.5 Candelabra

Switch: On-Off Line Switch

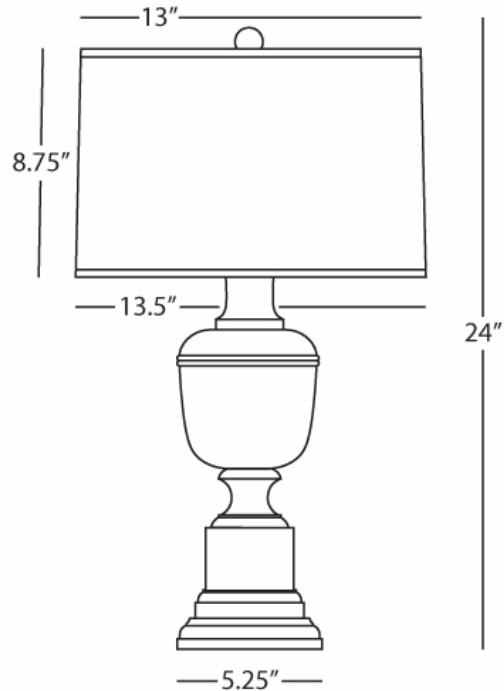
Red Lacquered Paint & Natural Brass

Ivory Crackle Accents

Cloud Cream Silk Shade

SHADE OPTION:

2505 - Red Painted Parchment Shade



* *Made In The USA*