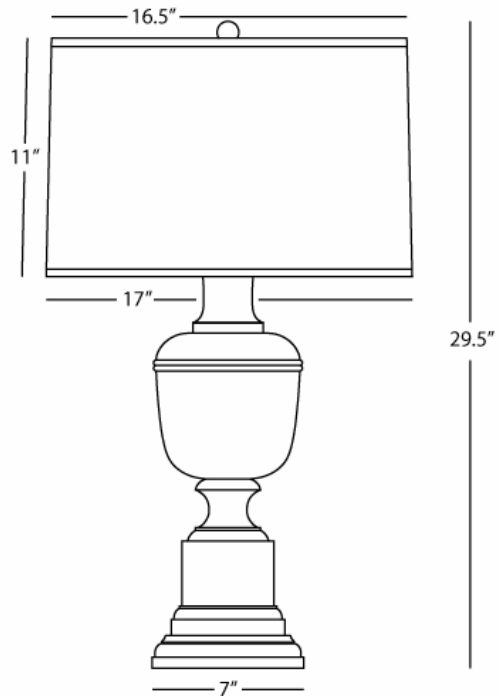


MARY MCDONALD
ANNIKA

2501
Table Lamp

1-150W Max.
Bulb Type: A
Switch: 3-Way
Red Lacquered Paint & Natural Brass
Ivory Crackle Accents
Red Painted Opaque Parchment Shade w/ Matte Gold
Lining

SHADE OPTION:
2501X - Cloud Cream Silk Shade



* *Made In The USA*