

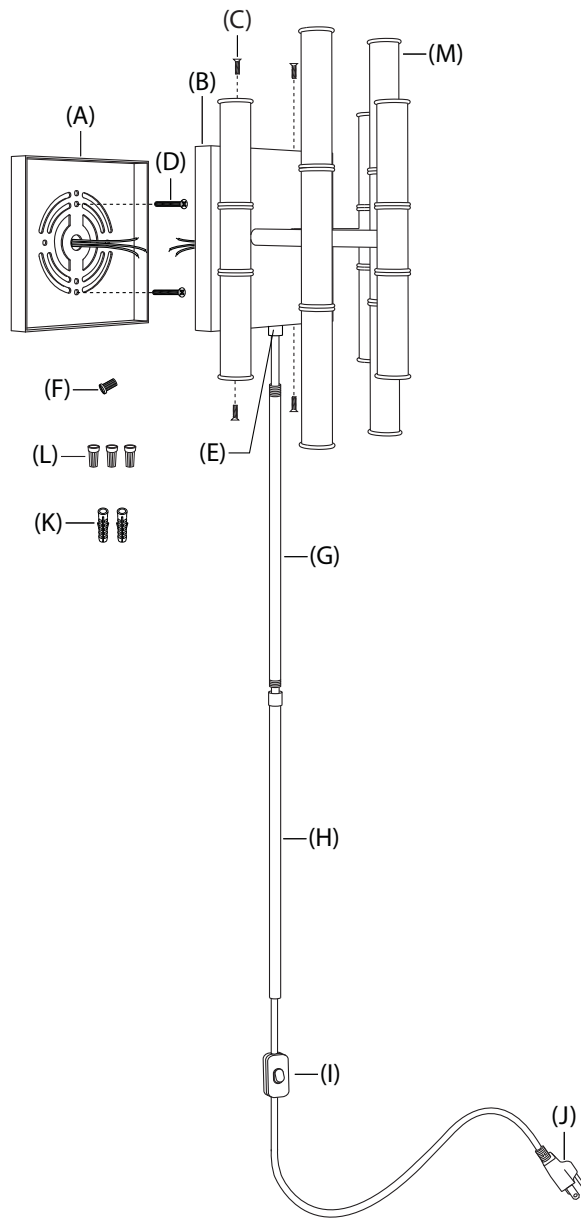
ASSEMBLY INSTRUCTIONS FOR YOUR
Jonathan Adler
MEURICE 5-ARM SCONCE

IMPORTANT SAFETY INSTRUCTIONS:

- * These instructions are provided for your safety. It's important that all safety instructions are read before beginning installation of fixture.
- * We **STRONGLY** recommend installation by a licensed electrician.
- * Turn off power at switch before replacing bulbs, making sure fixture has had sufficient time to cool down.
- * Do not connect the electricity until lamp is fully assembled.

CORD COVER ASSEMBLY INSTRUCTIONS:

1. Remove mounting plate (A) from backplate (B) by removing screws (C).
2. Determine desired location for light fixture on wall. Hold mounting plate (A) in a level position against the wall. Using a pencil, mark the location of the mounting holes in mounting plate (A) onto the wall.
3. Drill small holes at marked locations on the wall. Holes should be sized so they accommodate wall anchors (K), provided. Insert wall anchors into drilled holes.
4. Affix mounting plate (A) to the wall by threading mounting screws (D) through holes in mounting plate (A) and into wall anchors.
5. Slide backplate (B) over mounting plate (A). Thread screws (C) back into holes at the top and bottom of backplate (B) to secure fixture to the mounting surface.
6. Thread cord cover (G) into nipple (E) at the bottom of the backplate. Thread cord cover (H) onto cord cover (G).
7. Insert ten 25W MAX. G16.5, Candelabra base bulbs into the sockets (M).
8. Insert three prong plug (J) into the wall outlet.
9. Control power to the fixture by rotating switch (I).



DIRECT WIRE ASSEMBLY INSTRUCTIONS:

1. **SHUT OFF MAIN ELECTRICAL SUPPLY FROM THE MAIN FUSE BOX/CIRCUIT BREAKER. IT IS RECOMMENDED THAT A LICENSED ELECTRICIAN INSTALL THIS FIXTURE.**
2. Remove mounting plate (A) from backplate (B) by removing screws (C).
3. Cut three prong plug (I) from the end of the electrical cord.
4. Remove cord covers (G) and (H) from the electrical cord. From the back side of backplate (B), pull the electrical cord up through nipple (E).
5. Cut the cord to the desired length for making an electrical connection. At least six inches of wire will be needed to make proper electrical connection.
6. Carefully unscrew nipple (E) from backplate (B). Thread plug (F) into hole vacated by the electrical cord and nipple (E).
7. Carefully pull the wiring from wall outlet box. Thread the wires through the center hole in mounting plate (A).
8. Affix mounting plate (A) to wall outlet box with mounting screws (D) provided.
9. Lift fixture to mounting plate and make proper electrical connections described in steps 10 - 12. **A LICENSED ELECTRICIAN IS RECOMMENDED.**
10. Connect ground (green or silver in color) wire from fixture to ground wire in the outlet box. Fasten wires together with wire nut (L) and tightly wrap the connection with electrical tape.
11. Attach hot wire from fixture (black in color or smooth side of wire) to hot wire from outlet box. Fasten wires together with wire nut (L) and tightly wrap connection with electrical tape.
12. Attach neutral wire from fixture (white in color or ribbed side of wire) to neutral wire from outlet box. Fasten wires together with wire nut (L) and tightly wrap connection with electrical tape.
13. Carefully push wire connections back into wall outlet box. Slide backplate (B) over mounting plate (A).
14. Thread screws (C) into vacant holes at the top and sides of backplate (B) to secure the fixture to the mounting surface.
15. Insert ten 25W MAX. G16.5, Candelabra base bulbs into the sockets (M).
16. Reconnect main electrical supply from the fuse box/circuit breaker and test fixture.

* To clean, use a soft dry cloth. Do not use any chemical or abrasive cleaners as they may damage the finish. *