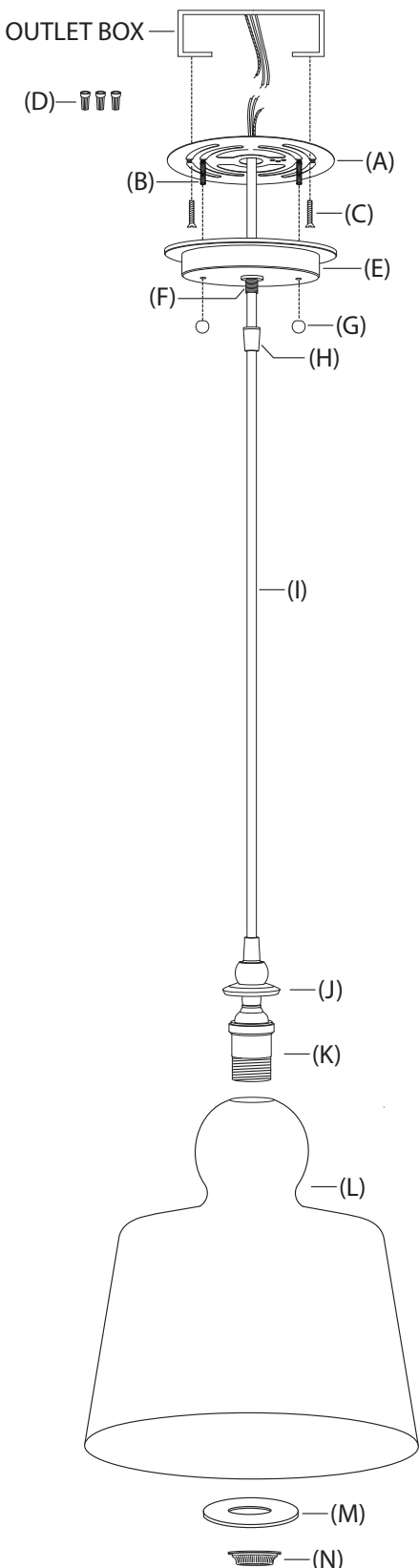


## ASSEMBLY INSTRUCTIONS FOR YOUR 15" ALBERT PENDANT



### IMPORTANT SAFETY INSTRUCTIONS:

\*These instructions are provided for your safety.

\*It is very important that they are read completely before beginning the installation of your fixture.

**\*WE STRONGLY RECOMMEND INSTALLATION BY A LICENSED ELECTRICIAN.**

\*Turn off power at switch before replacing bulbs, making sure fixture has had sufficient time to cool down.

\*This fixture is UL rated for dry locations.

### ASSEMBLY INSTRUCTIONS:

1. SHUT OFF THE MAIN ELECTRICAL SUPPLY FROM THE MAIN FUSE BOX/ CIRCUIT BREAKER.
2. Remove all parts from carton and discard packing materials.
3. Place the parts on a level surface.
4. Remove mounting plate (A) from canopy (E) by unscrewing threaded nuts (G). Set threaded nuts (G) aside.
5. Carefully pull wires from the wall outlet box and thread them through the center hole in mounting plate (A).
6. Affix mounting plate (A) to the ceiling outlet box using screws (C) provided.
7. Determine the desired height for the fixture to hang and adjust the cord length accordingly. To add or remove length from the cord, carefully unthread collar (H) from plastic sleeve (F). Adjust cord to desired length and thread collar (H) back onto plastic sleeve (F).
8. If necessary, cut extra cord above canopy (E). NOTE: leave at least six inches of cord above the canopy in order to make proper wire connections.
9. Lift the canopy to the ceiling and make the proper electrical connections noted in steps 10 through 12. A LICENSED ELECTRICIAN IS RECOMMENDED.
10. Attach ground wire from fixture (green or copper in color) to ground wire from outlet box. Fasten wires together with wire nut (D) and tightly wrap connection with electrical tape.
11. Attach hot wire from fixture (black in color or smooth side of wire) to hot wire from outlet box. Fasten wires together with wire nut (D) and tightly wrap connection with electrical tape.
12. Attach neutral wire from fixture (white in color or ribbed side of wire) to neutral wire from outlet box. Fasten wires together with wire nut (D) and tightly wrap connection with electrical tape.
13. Gently push the wire connections back into the ceiling outlet box.
14. Place canopy (E) over the mounting plate so it sits flush against the ceiling. Screws (B) will protrude through the holes in the canopy. Attach threaded nuts (G) to screws (B) to secure the fixture to the ceiling.
15. Slide glass shade (L) over socket (K) until it rests against housing (J).
16. Holding shade in place, slide plastic washer (M) over threads on socket (K). Secure washer and shade by threading flange (N) onto socket (K).
17. Install (1) 100W MAX. Type A, medium base bulb into the socket (K).
18. Reconnect the main electrical supply at the fuse box/ circuit breaker and test the fixture.