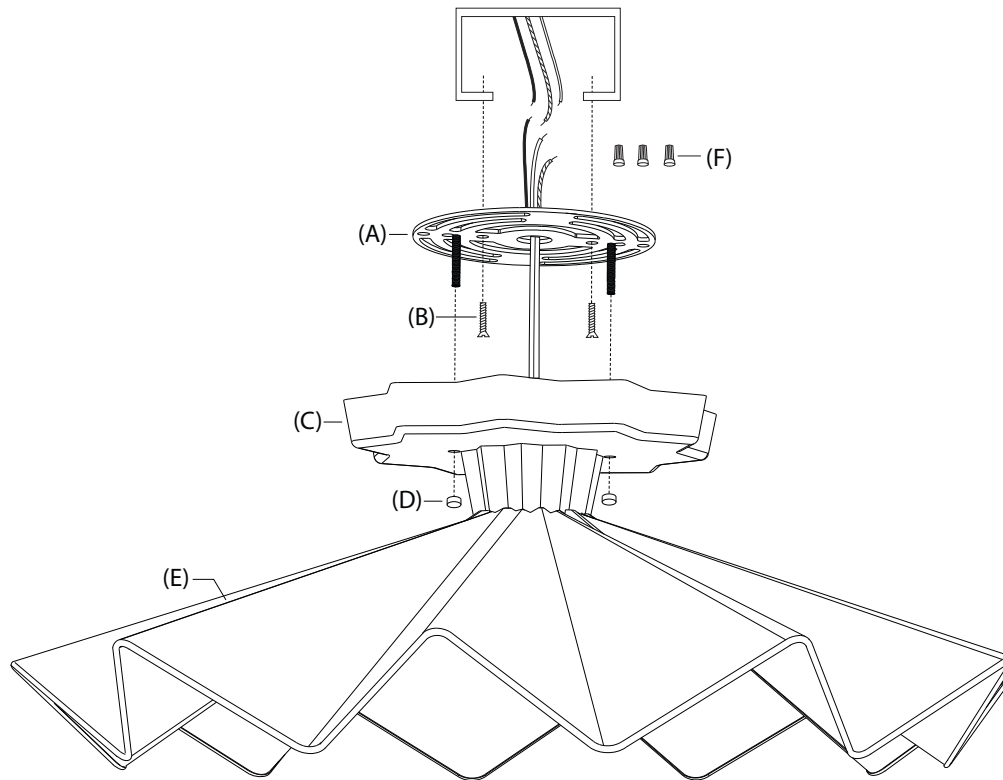


## ASSEMBLY INSTRUCTIONS FOR YOUR RICO ESPINET BAT FLUSH MOUNT / SONCE



### IMPORTANT SAFETY INSTRUCTIONS:

- \*These instructions are provided for your safety. It is very important that they are read completely before beginning the installation of your fixture.
- \*Turn off power at switch before replacing bulbs, making sure fixture has had sufficient time to cool down.
- \*WE STRONGLY RECOMMEND INSTALLATION BY A LICENSED ELECTRICIAN.**
- \* This fixture is UL rated for dry locations.

### ASSEMBLY INSTRUCTIONS

\*\*\*\*SHUT OFF ELECTRICAL SUPPLY AT CIRCUIT BREAKER\*\*\*\*

1. Remove all parts carefully from the carton. Do not throw away any parts.
2. Remove mounting plate (A) from canopy (C) by removing decorative nuts (D). Set decorative nuts (D) aside.
3. Affix mounting plate (A) to ceiling outlet box using mounting plate screws (B).
4. Lift canopy (C) to ceiling outlet box and make proper electrical connections described in steps 5-7. **A licensed electrician is recommended.**
5. Attach ground wire from fixture (green or silver in color) to ground wire in outlet box. Fasten wires together with wire nut (F) and tightly wrap connection with electrical tape.
6. Attach hot wire from fixture (black in color, or smooth side of wire) to hot wire from ceiling outlet box. Fasten wires together with wire nut (F) and tightly wrap connection with electrical tape.
7. Attach neutral wire from fixture (white in color or ribbed side of wire) to neutral wire from ceiling outlet box. Fasten wires together with wire nut (F) and tightly wrap connection with electrical tape.
8. Gently push wire connections back into ceiling outlet box.
9. Place canopy (C) over mounting plate (A). Use decorative nuts (D) to secure the canopy to the mounting plate.
10. Insert one 60W MAX. Type A, medium base bulb into the socket located inside shade (E).

**\*To clean use soft cloth only. Do not use chemical or abrasive cleaners.\***