

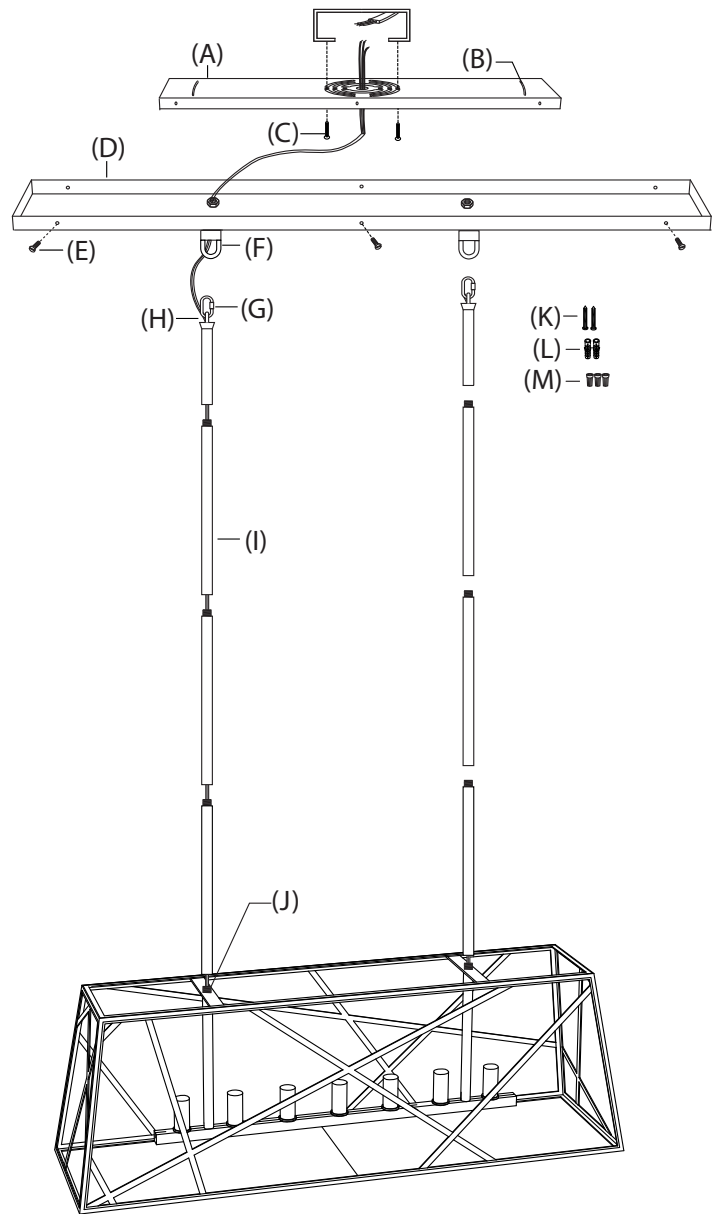
ASSEMBLY INSTRUCTIONS FOR YOUR
MICHAEL BERMAN LIMITED
BOND CHANDELIER

IMPORTANT SAFETY INSTRUCTIONS:

- * These instructions are provided for your safety. It's important that all safety instructions are read before beginning installation of fixture.
- * **We STRONGLY recommend installation by a licensed electrician.**
- * Do not connect the electricity until lamp is fully assembled.
- * If any special control devices are used with this fixture, follow the instructions carefully to assure full compliance with N.E.C. requirements. If there are any questions, contact a qualified electrical contractor.
- * This fixture is UL rated for dry locations.

ASSEMBLY INSTRUCTIONS:

1. SHUT OFF MAIN ELECTRICAL SUPPLY FROM THE MAIN FUSE BOX/CIRCUIT BREAKER.
2. Remove all parts from carton and discard packing materials. Place the parts on a protected work surface.
3. Remove mounting plate (A) from canopy (D) by removing screws (E). Set screws (E) aside.
4. Place the mounting plate (A) against the mounting surface so it is aligned with the ceiling outlet box. Once aligned, check to make sure that the position of the mounting plate is straight. When the proper placement has been confirmed, use a pencil to mark the locations of the mounting plate support holes (B) onto the mounting surface.
5. Set the mounting plate aside and drill small holes at the marked locations. Holes should be sized so anchors (L), provided, fit securely inside.
6. Push anchors (L) into holes.
7. Carefully pull the wiring from the ceiling outlet box. Thread the wires through the center hole in mounting plate (A).
8. Affix mounting plate (A) to outlet box with mounting screws (C) provided.
9. For additional support, thread mounting screws (K) through holes (B) and into wall anchors (L).
10. Measure desired drop for fixture to hang and add/remove extension tubes (I).
TO ADD/REMOVE EXTENSIONS: (Un)Thread the threaded tube of one extension out of/into the threaded opening of the next extension. Make sure wiring is pulled tight when threading extensions together to prevent damage to the wire.
11. Thread bottom extension (I) on to threaded tube (J). Repeat step for other set of extensions.
12. Secure quick link (G) to hang straight (F). Repeat this step for remaining extension set.
13. Guide wire exiting the fixture through the extensions (H), quick link (G), through the center of the hang straight (F), and up through the hole in the canopy (D).
14. Cut the cord to the desired length to make electrical connections.
15. Lift canopy (D) to mounting plate (A) and make proper electrical connections described in steps 16-18. A LICENSED ELECTRICIAN IS RECOMMENDED.
16. Attach ground wire from the fixture (green or copper in color) to the ground wire in outlet box. Fasten wires together with wire nut (M) and tightly wrap connection with electrical tape.
17. Attach hot wire from fixture (black in color, or smooth side of wire) to hot wire from ceiling outlet box. Fasten wires together with wire nut (M) and tightly wrap connection with electrical tape.
18. Attach neutral wire from fixture (white in color or ribbed side of wire) to neutral wire from ceiling outlet box. Fasten wires together with wire nut (M) and tightly wrap connection with electrical tape.
19. Gently push wire connections back into ceiling outlet box. Slide canopy (D) over mounting plate (A). Thread screws (E) into holes in canopy (D) to secure fixture to ceiling.
20. Install seven 60W MAX. Type B candelabra base bulbs into the sockets.
21. Reconnect main electrical supply at the fuse box/circuit breaker and test fixture.



*** To clean, use a soft dry cloth. Do not use any chemical or abrasive cleaners.***