

ASSEMBLY INSTRUCTIONS FOR YOUR  
**MICHAEL BERMAN LIMITED**  
BOND CONVERTIBLE OUTDOOR LANTERN

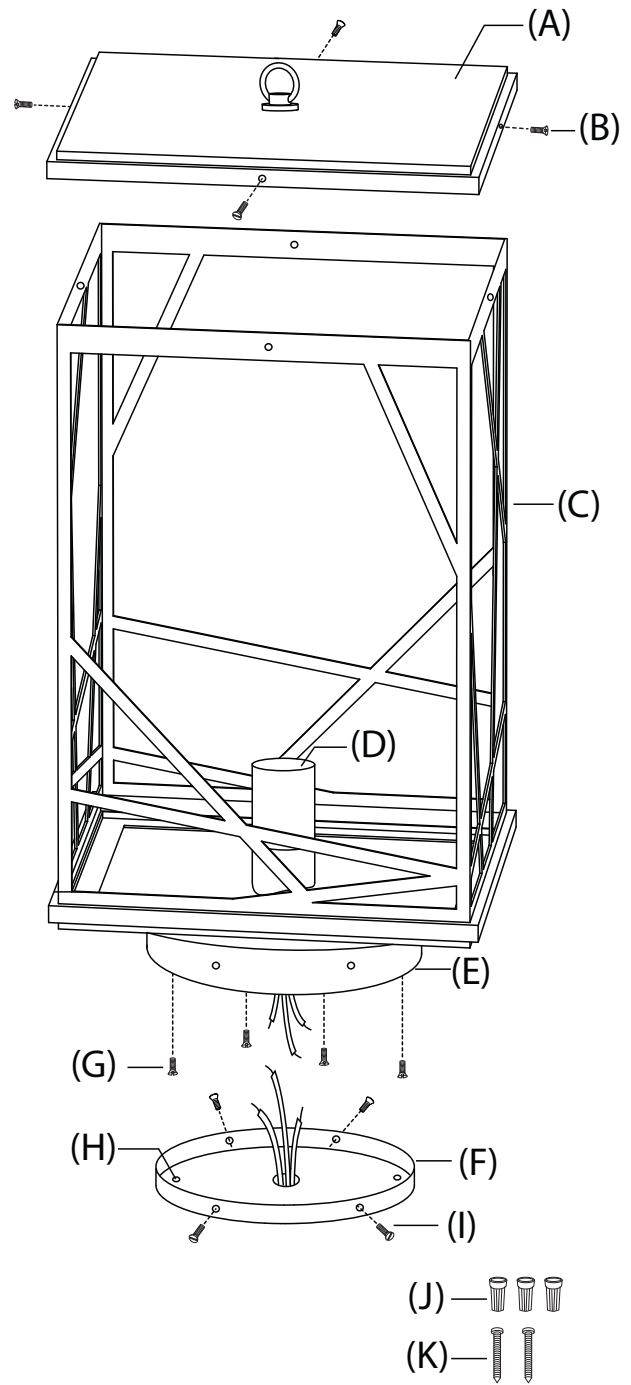
**IMPORTANT SAFETY INSTRUCTIONS:**

- \* These instructions are provided for your safety.
- \* It is very important that they are read completely before beginning the installation of your fixture.
- \* **WE STRONGLY RECOMMEND INSTALLATION BY A LICENSED ELECTRICIAN.**
- \* Turn off power at switch before replacing bulbs, making sure fixture has had sufficient time to cool down.
- \* This fixture is UL rated for wet locations.

**NOTE: This fixture can be mounted to a pole or a surface. Brackets for both applications are provided.**

**PIER MOUNT ASSEMBLY INSTRUCTIONS:**

1. SHUT OFF THE MAIN ELECTRICAL SUPPLY FROM THE MAIN FUSE BOX/ CIRCUIT BREAKER.
2. Mounting surface should be clean, dry, flat and 1/4" larger than the bottom of the fixture on all sides. Any gaps between the mounting surface and the fixture exceeding 3/16" should be corrected as required.
3. Remove all parts carefully from the carton. Do not throw away any parts.
4. Remove mounting plate (F) from base (E) by removing base screws (I). Set base screws (I) aside.
5. Place the mounting plate (F) against the mounting surface so center hole is aligned with the wires exiting the mounting surface. When proper placement has been confirmed, mark the locations of the mounting plate holes (H) onto the mounting surface.
6. Set the mounting plate aside and drill small holes at the marked locations.  
NOTE: Drilled holes should be sized to accommodate anchors or fasteners (not included). Anchors or fasteners should be appropriate for the mounting surface material and appropriate fasteners, contact a qualified contractor.
7. Carefully pull wiring from the mounting surface. Thread the wires through the center hole in mounting plate (F).
8. Affix mounting plate (F) to mounting surface by threading mounting screws (K), through holes (H), through the installed anchors (not provided).
9. Bring the fixture to mounting plate (F) and make proper electrical connections described in steps 10-12. A LICENSED ELECTRICIAN IS RECOMMENDED.
10. Attach ground wire from the fixture (green or copper in color) to the ground wire in outlet box. Fasten wires together with wire nut (J) and tightly wrap connection with electrical tape.
11. Attach hot wire from fixture (black in color, or smooth side of wire) to hot wire from ceiling outlet box. Fasten wires together with wire nut (J) and tightly wrap connection with electrical tape.
12. Attach neutral wire from fixture (white in color or ribbed side of wire) to neutral wire from ceiling outlet box. Fasten wires together with wire nut (J) and tightly wrap connection with electrical tape.
13. Gently push wire connections back into mounting surface. Lower base (E) over mounting plate (F), aligning holes for screws. Thread screws (I) into base (E) to secure fixture to the mounting surface.



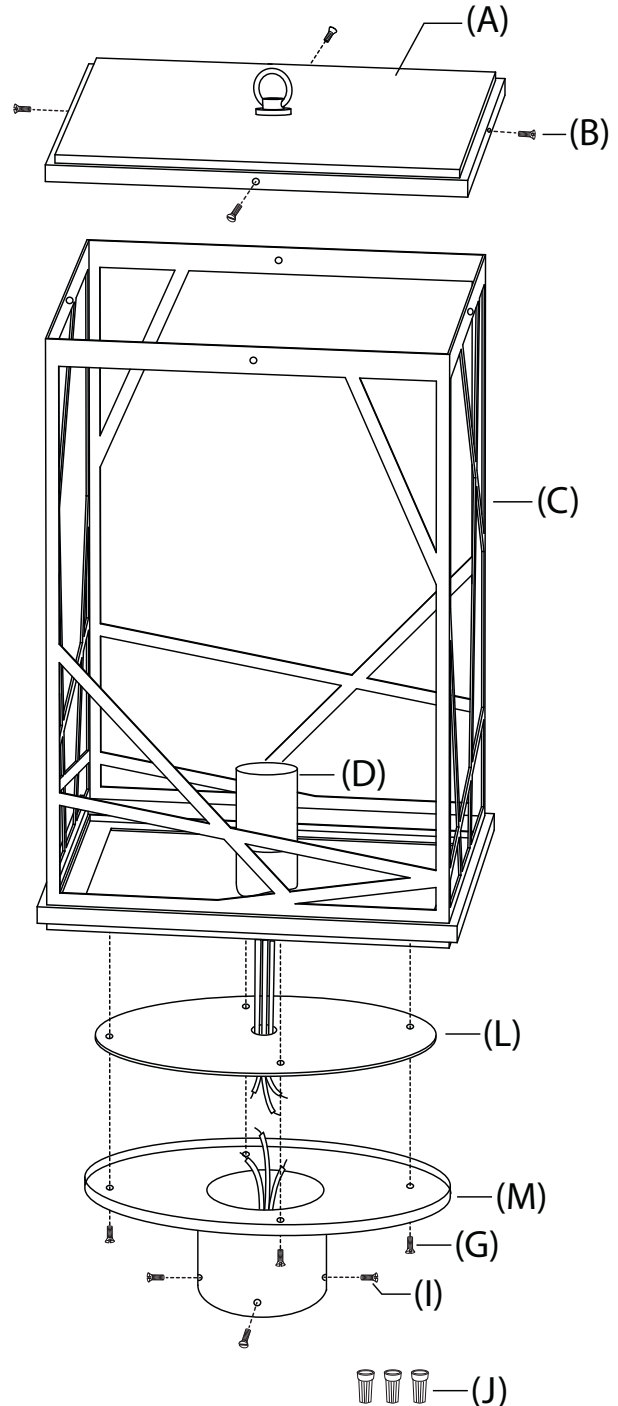
## ASSEMBLY INSTRUCTIONS FOR YOUR MICHAEL BERMAN LIMITED BOND CONVERTIBLE OUTDOOR LANTERN

14. Remove cap (A) from shade (C) by unthreading screws (B). Set cap and screws aside.
15. Install one 100W MAX. Type A, medium base bulb into socket (D).
16. Replace cap (A) onto shade (C) and thread screws (B) back into the cap.
17. Reconnect main electrical supply from the fuse box/ circuit breaker and test the fixture.
18. Make sure surface is clean and dry. With silicone caulking compound, caulk completely around where bottom of fixture meets mounting surface to prevent water from seeping into wiring compartment.

**NOTE: This fixture can be mounted to a pole or a surface. Brackets for both applications are provided.**

### POLE MOUNT ASSEMBLY INSTRUCTIONS:

1. SHUT OFF THE MAIN ELECTRICAL SUPPLY FROM THE MAIN FUSE BOX/ CIRCUIT BREAKER.
2. Remove all parts carefully from the carton. Do not throw away any parts.
3. Disassemble the pier mount base: remove mounting plate (F) from base (E) by removing base screws (I). Set mounting plate and screws aside. Remove base (E) from fixture by removing screws (G). Set base and screws aside.
4. Slide pole mount (M) over pole. NOTE: If the hole pattern on the pole does not match the hole pattern on the pole mount, mark the position of the holes onto the pole. Set pole mount aside and drill small holes at marked locations.)
5. Carefully pull wires from the pole and thread them through the center hole in pole mount (M).
6. Affix pole mount (M) to the pole by threading screws (I) into holes in the pole mount and the pole.
7. Thread wires from pole through the center hole in reinforcement plate (L) and place reinforcement plate inside pole mount (M).
8. Align the fixture with pole mount (M) and make proper electrical connections described in steps 9-11. A LICENSED ELECTRICIAN IS RECOMMENDED.
9. Attach ground wire from the fixture (green or copper in color) to the ground wire in outlet box. Fasten wires together with wire nut (J) and tightly wrap connection with electrical tape.
10. Attach hot wire from fixture (black in color, or smooth side of wire) to hot wire from ceiling outlet box. Fasten wires together with wire nut (J) and tightly wrap connection with electrical tape.
11. Attach neutral wire from fixture (white in color or ribbed side of wire) to neutral wire from ceiling outlet box. Fasten wires together with wire nut (J) and tightly wrap connection with electrical tape.
12. Gently push wire connections back through the center hole in reinforcement plate (L).
13. Align holes in the bottom of shade (C), reinforcement plate (L), and in the top of pole mount (M).
14. Thread screws (G) through aligned holes to secure fixture to pole mount (M).
15. Follow steps 13-16 from Pier Mount Assembly Instructions to complete installation.



**\*\* To clean, use soft cloth only. Do not use any chemical or abrasive cleaners. \*\***