

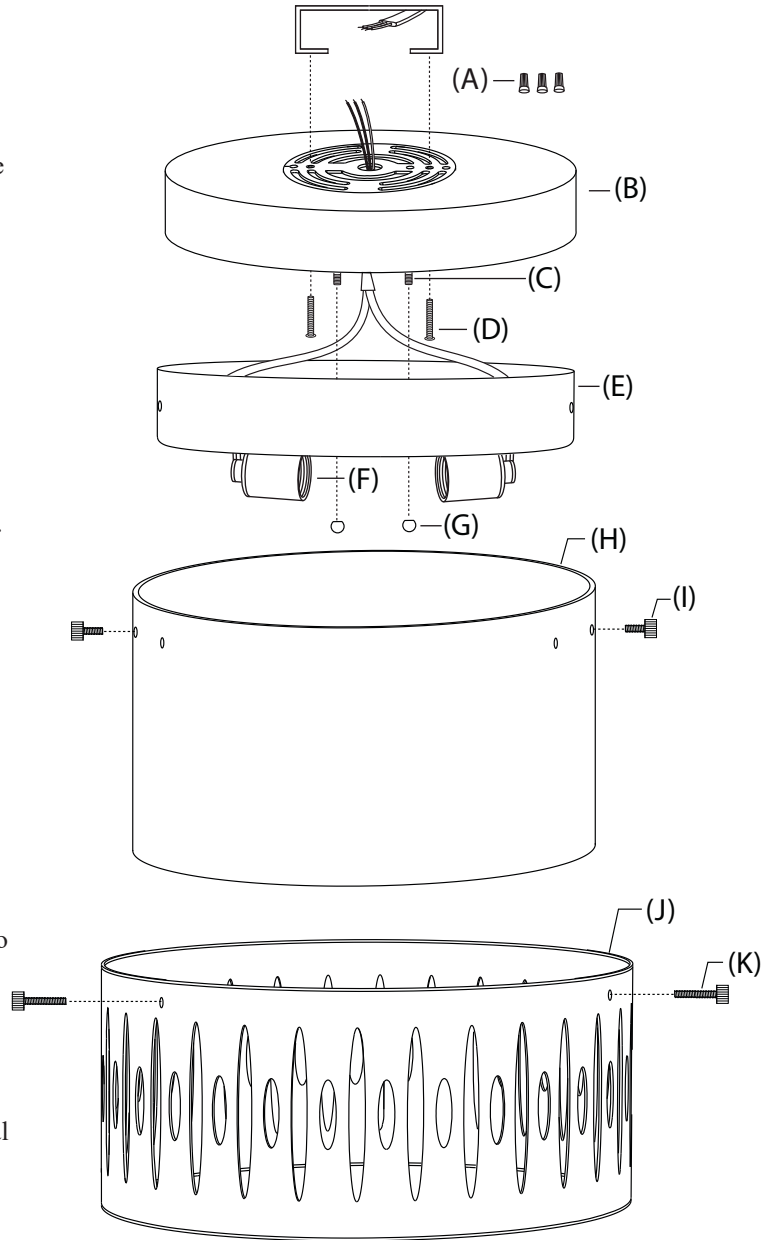
## ASSEMBLY INSTRUCTIONS FOR YOUR TREBLE FLUSH MOUNT

### IMPORTANT SAFETY INSTRUCTIONS:

- \* These instructions are provided for your safety.
- \* It is very important that they are read completely before beginning the installation of your fixture.
- \* WE STRONGLY RECOMMEND INSTALLATION BY A LICENSED ELECTRICIAN.
- \* Turn off power at switch before replacing bulbs, making sure fixture has had sufficient time to cool down.
- \* If any special control devices are used with this fixture, follow the instructions carefully to assure full compliance with N.E.C. requirements. If there are any questions, contact a qualified electrical contractor.
- \* This fixture is UL rated for dry locations.

### ASSEMBLY INSTRUCTIONS:

1. SHUT OFF THE MAIN ELECTRICAL SUPPLY FROM THE MAIN FUSE BOX/ CIRCUIT BREAKER.
2. Remove all parts from carton and discard packing materials.
3. Place parts on a level surface. Remove frame (J) from shade (H) by unthreading screws (K). Set screws (K) aside.
4. Remove shade (H) from canopy (E) by unthreading screws (I). Set screws (I) aside.
5. Remove mounting plate (B) from canopy (E) by removing threaded spheres (G). Set threaded spheres (G) aside.
6. Affix mounting plate (B) to ceiling outlet box using mounting screws (D). Gently pull wires from ceiling outlet box through hole in the middle of mounting plate (B).
7. Lift canopy (E) to the ceiling and make the proper electrical connections noted in steps 8 - 10. **A licensed electrician is recommended.**
8. Attach ground wire from fixture (green or copper in color) to ground wire from outlet box. Fasten wires together with wire nut (A) and tightly wrap connection with electrical tape.
9. Attach hot wire from fixture (black in color or smooth side of wire) to hot wire from outlet box. Fasten wires together with wire nut (A) and tightly wrap connection with electrical tape. Fasten wires together with wire nut (A) and tightly wrap connection with electrical tape.
10. Attach neutral wire from fixture (white in color or ribbed side of wire) to neutral wire from outlet box. Fasten wires together with wire nut (A). Wrap connection with electrical tape. Gently push wire connections back into the outlet box.
11. Lift canopy (E) over mounting plate (B). Screws (C) in mounting plate (B) will protrude through holes in canopy (E). Use threaded spheres (G) to attach the canopy to the mounting plate.
12. Install (3) 60W MAX. Type B, medium base bulbs into the sockets (F).
13. Lift shade (H) to canopy (E), aligning holes for screws. Holding shade (H) in place, rethread screws (I) through shade (H) and into canopy (E) to secure shade to fixture. Note: Do not over tighten as this could cause damage to glass.
14. Lift frame (J) to shade (H), aligning holes in frame (J) with remaining holes in shade (H). Holding frame (J) in place, rethread screws (K) through frame and into shade (H) to secure frame to fixture.
15. Reconnect main electrical supply at the fuse box/ circuit breaker and test the fixture.



**\*\* To clean, use soft cloth only. Do not use any chemical or abrasive cleaners. \*\***