

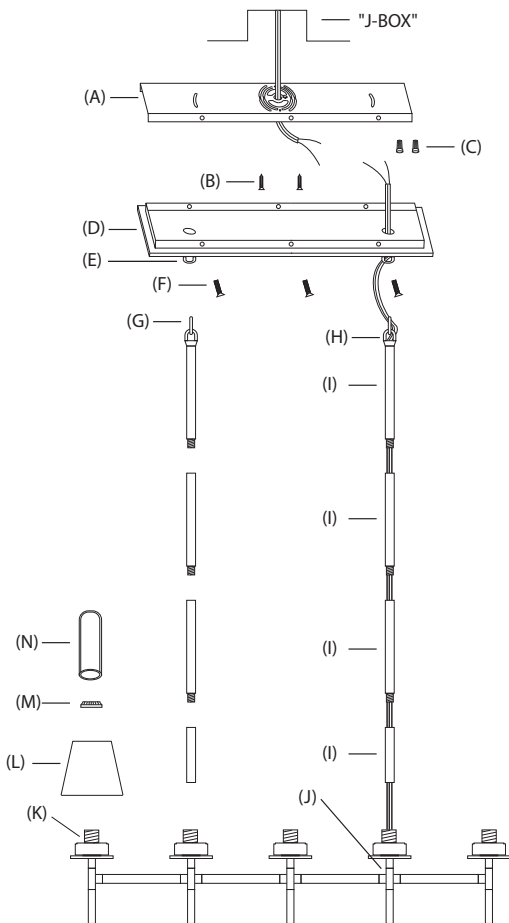
ASSEMBLY INSTRUCTIONS FOR YOUR COPA 8 LIGHT LINEAR CHANDELIER

****IT IS RECOMMENDED THAT A CERTIFIED LICENSED ELECTRICIAN
INSTALL THIS FIXTURE****

Warning: *If any special control devices are used with this fixture, follow the instructions carefully to assure full compliance with N.E.C. requirements. If there are any questions, contact a qualified electrical contractor.*

Assembly Instructions

SHUT OFF MAIN ELECTRICAL SUPPLY FROM THE
MAIN FUSE BOX/CIRCUIT BREAKER.



1. Remove all parts carefully from the box.
2. Remove mounting plate (A) from canopy (D) by removing canopy screws (F).
3. Affix mounting plate (A) to "J BOX" with mounting plate screws (B) provided. If desired, extra screws (not included) can be inserted into slotted holes of mounting plate (A) for additional support.
4. Measure desired drop for fixture to hang. Thread wiring from housing (J) through extension rods (I) needed to reach desired drop. Thread extension tubes (I) together until hand tight. Be careful not to cut wiring.
5. Guide wiring from extensions (I) through quick link (H). Guide wiring through hole in canopy (D).
6. Make proper electrical connections. Connect the ground wire (green or copper) from the fixture to the ground wire in the outlet box. Connect the black (hot) wire from fixture to the black (hot) wire in outlet box using wire nuts (C). Connect the white (neutral) wire from fixture to white (neutral) wire in the outlet box using wire nuts (C).
7. Slide canopy (D) over mounting plate (A). Align holes in canopy (D) with holes in mounting plate (A). Insert canopy screws (F) into holes in canopy (D) and mounting plate (A) and turn until hand tight.
8. Attach quick link (G) to loop (E). Lift fixture to canopy and attach loops (H) to quick links (G). Close openings in quick links (G) to secure fixture to canopy (D).

9. Remove flange (M) from threaded socket (K). Slide center hole in glass shade (L) down threaded socket (K). Place flange (M) onto threaded socket (K). Use tool (N) to thread flange (M) down threaded socket (K) securing glass shade (M) to socket (K). Repeat for each shade.

10. Install eight (8) 40W max Candelabra base bulbs into sockets (K).